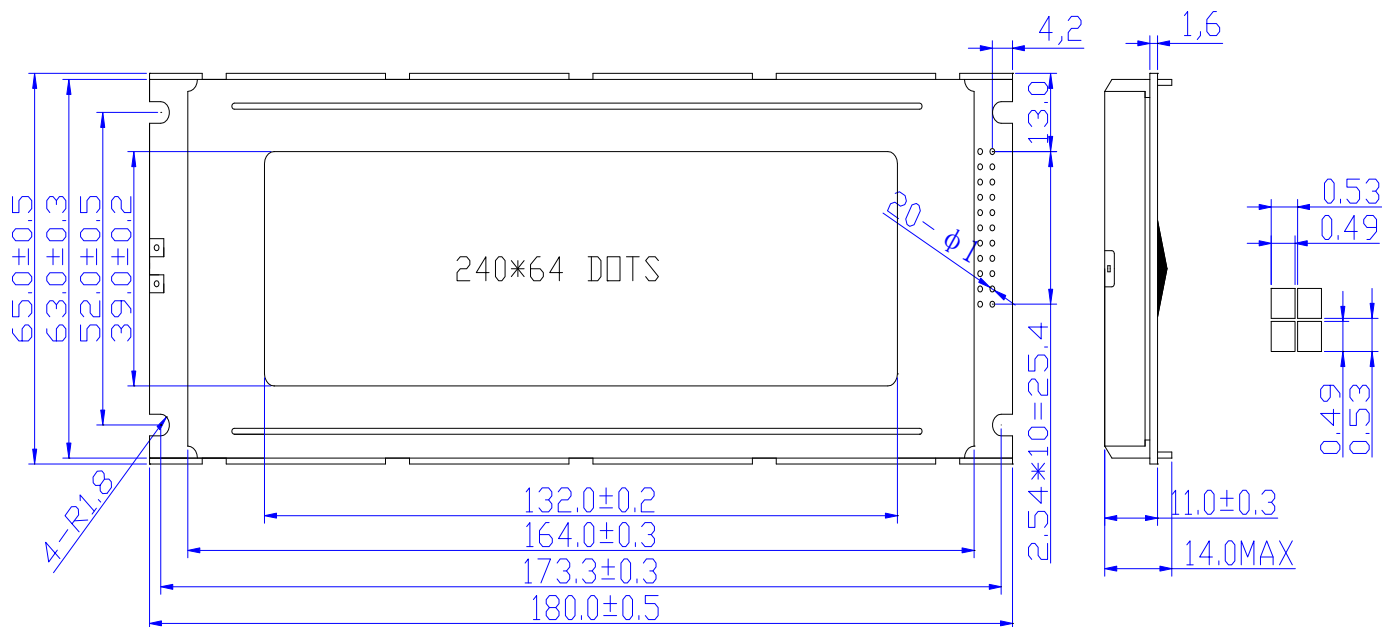


WJ24064A

① PHYSICAL DIMENSION



② MECHANICAL SPECIFICATIONS

Item	Nominal Dimensions(mm)
Module Size(W×H×T)	180.0×65.0×14.0
Viewing Area(W×H)	132.0×39.0
Dot Pitch(W×H)	0.53×0.53
Dot Size(W×H)	0.49×0.49

④ FEATURE

LCD Type & Colour	STN:Yellow-Green、Blue,FSTN
View Angle	6 O'clock
Display Type	Positive Type,Negative Type
Control IC & Package	T6963C,SMT
Operating Temperature	-20℃~70℃
Storage Temperature	-30℃~80℃

③ PIN CONNECTIONS

Pin	Symbol	Function
1	FG	Frame Ground
2	VSS	Ground for Logic(0V)
3	VDD	Power supply for Logic(+5V)
4	V0	Power supply for LCD Driver
5	/WR	Write signal (Active Low)
6	/RD	Read signal (Active Low)
7	/CE	Chip enable signal (Active Low)
8	C/D	H:Command; L:Data
9	NC	No Connect
10	/RST	Reset Signal (Active Low)
11~18	DB0~DB7	Data Bus Line
19	FS	Font Select H:6x8 ,L:8x8
20	Vout	Negative voltage output
21	LED+	Backlight Power (+5V)
22	LED-	Backlight Power (0V)

⑤ ELECTRICAL CHARACTERISTICS (Supply current doesn't contain backlight)

Item	Symbol	Test Condition	Typ.	Unit
Operating Voltage	Vdd	Ta=25℃	5.0	V
Supply Current	Idd	Ta=25℃ , Vdd=5.0V	20.0	mA