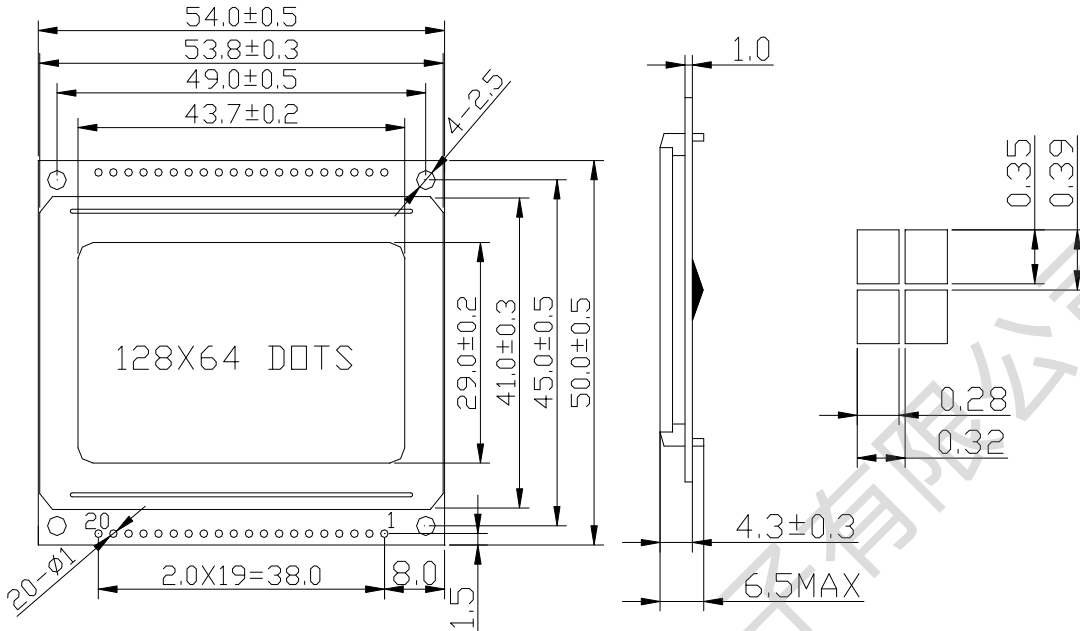


WJ12864E



①PHYSICAL DIMENSION



Display Format
128X64
Driving Method
1/64 Duty
1/9 Bias

②MECHANICAL SPECIFICATIONS

Item	Normal Dimensions(mm)
Module Size(W×H×T)	54.0×50.0×6.5
Viewing Area(W×H)	43.7×29.0
Dot Pitch(W×H)	0.32×0.39
Dot Size(W×H)	0.28×0.35

④FEATURE

LCD Type & Colour	STN:Yellow-Green、Blue,FSTN
View Angle	6 O'clock
Display Type	Positive Type,Negative Type
Control IC & Package	KS0107,COB
Operating Temperature	-20℃~70℃
Storage Temperature	-30℃~80℃

③PIN CONNECTIONS

Pin	Symbol	Function
1	VSS	Ground for Logic(0V)
2	VDD	Power supply for Logic(+5V)
3	V0	Power supply for LCD Driver
4	RS	H: Data; L: Instruction Code
5	R/W	H: Read; L: Write
6	E	Enable signal
7~14	DB0~DB7	Data Bus Line
15	CS1	H:Chip Selection For Left Screen
16	CS2	H:Chip Selection For Right Screen
17	/RST	Reset Signal (Active Low)
18	VEE	Negative voltage output
19	SW	Backlight Power (0V)
20	NC	NC

⑤ELECTRICAL CHARACTERISTICS (Supply current doesn't contain backlight)

Item	Symbol	Test Condition	Typ.	Unit
Operating Voltage	Vdd	Ta=25℃	5.0	V
Supply Current	Idd	Ta=25℃ , Vdd=5.0V	7.5	mA